

2015 HINO 195h COE

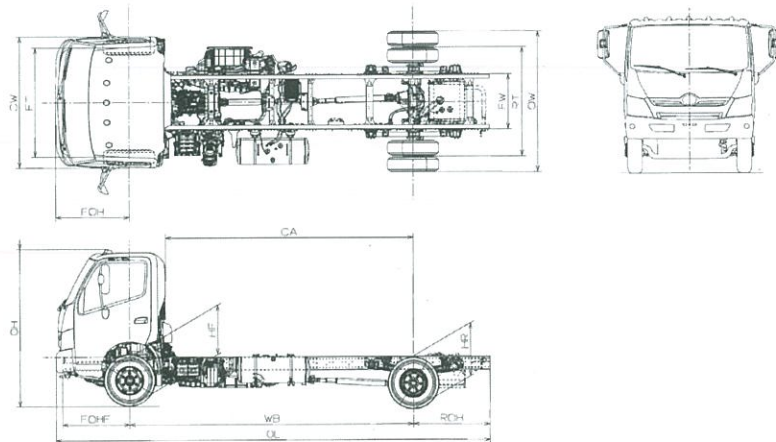


A Toyota Group Company

CAB OVER ENGINE GVW: 19,500 LBS. BBC: 66.5" ENGINE MODEL: J05E-UG DIESEL-ELECTRIC HYBRID

DIMENSIONS					
Cab Type		Standard	Standard	Standard	Standard
Wheelbase	A in.	137.8	149.6	161.4	173.2
Overall length	B in.	228.6	240.4	252.2	264.0
Overall width	C in.	84.1	84.1	84.1	84.1
Overall height	D in.	93.7	93.7	93.7	93.7
Cab width	E in.	78.5	78.5	78.5	78.5
Frame width	F in.	33.0	33.0	33.0	33.1
Useable cab to axle	G in.	110	121.9	133.7	145.5
Front overhang	H in.	44.4	44.4	44.4	44.4
Rear overhang	I in.	46.3	46.3	46.3	46.3
Frame height at					
Front axle	J in.	29.5	29.5	29.5	29.5
Rear axle	K in.	33.3	33.3	33.3	33.4
Road clearance (at diff. axle)	L in.	8.2	8.2	8.2	8.2
Tread					
Front	M in.	65.2	65.2	65.2	65.2
Rear	N in.	65.6	65.6	65.6	65.6
Turning diameter					
Curb to Curb	ft.	43.4	46.7	49.9	53.4
Wall to Wall	ft.	47.6	50.9	54.2	57.6

CHASSIS WEIGHTS						
AT	Total weight	lb.	7,338	7,359	7,434	7,517
	Front axle	lb.	4,618	4,669	4,731	4,803
	Rear axle	lb.	2,719	2,690	2,703	2,714



ENGINE	
Model	HINO J05E-UG (Hybrid)
Type	Diesel-Electric Hybrid, 4-cycle, 4-cylinder in-line, water-cooled, dry cylinder line
Combustion system	Direct injection type
Max. output (SAE Gross)	210HP at 2,500 rpm
Max. torque (SAE Gross)	440 lb.-ft. at 1,500 rpm
Bore and stroke	4.41 x 5.12 in.
Piston displacement	5L
Fuel injection system	Radial plunger pump (HP-3)
Governor	Electronically controlled
Intake system	Turbocharged and intercooled
Air cleaner	Paper filter type (Donaldson)
Fan clutch	Viscous bimetal clutch
Glow plugs	Standard

POWERTRAIN AND PERFORMANCE		
GVW	19,500 lbs.	
GCWR	25,500 lbs.	
Powertrain	STD	OPT
Max. speed mph	68.4	64.6
Startability (tan.θ) %	60.0	60.0
Transmission	Model	Aisin A465
	Type	Six speed automatic
Ratios	1st	3.742
	2nd	2.003
	3rd	1.343
	4th	1.000
	5th	0.773
	6th	0.634
Rev	3.539	
Rear Axle Gear Ratios	5.571	5.857
Tires (standard)	225/70R19.5	

HINOWATCH (service free of charge)

3 year unlimited roadside assistance

- Lockout Service
- Battery Jumpstart
- Information
- Warranty Towing (2 year coverage)



2015 HINO 195h COE HYBRID



WEIGHT CAPACITIES

Front axle	lbs.	6,830
Rear axle	lbs.	13,660
Front spring	lbs.	6,830
Rear spring	lbs.	13,660

LIQUID CAPACITIES

Fuel tank	gal.	30
Cooling system	gal.	5.54
Engine oil	qt.	9.94
DEF tank	gal.	4.7

AXLE / SUSPENSION

Front axle	Reversed Elliot, "I" beam
Front spring	Taper-leaf springs shock absorbers and stabilizer
Rear axle	Full-floating, single reduction; Single-speed by hypoid gearings
Rear spring	Taper-leaf springs shock absorbers

FRAME

Ladder type		Straight section
Width	in.	33
Yield strength	PSI	56,900
Resisting bending moment (one side) (137.8, 149.6, 161.4 WB)	in.-lbs.	353,450 (no reinforcement)
Resisting bending moment (one side) (173.2 WB)	in.-lbs.	423,050 (no reinforcement)

STEERING

Steering column	Tilt and telescopic with lock adjustability
Steering system	Recirculating ball, with hydraulic booster, integral type

WHEELS / TIRES

6 Wheels	19.5X6 6-stud disc.
Wheel style	Steel, painted
6 Tires	225/70R19.5
Tire pattern	Fr-rib Rr-all season

BRAKES

Service brake	Hydraulic system with disc brake for front and rear wheels
Disc diameter x pad area (in. ²) x thickness (in.)	Front: 13.72 x 4.37 x 0.51 Rear: 13.72 x 4.37 x 0.51
Control	Hydraulic assist, dual circuit
Parking brake	Mechanical, internal expanding acting on transmission output shaft
Parking brake Drum diameter	8 inches
Exhaust brake	Electric-pneumatic with valve in exhaust pipe

CHASSIS EQUIPMENT

Front bumper	Painted cab color
Front stabilizer	
Fuel tank	Center mount
Fuel pre-filter	Heated fuel water separator
INSIGHT Telematics	
Radiator grille	Chrome

CAB EQUIPMENT

Air conditioning	Standard
Cab construction	All steel welded
Cigarette lighter	Standard
Coat hook	One (rear panel)
Cruise control	Standard
Cup holders	Standard
Door locks	Power, Standard
Door pockets	Two
Driver's seat	4-way adjustable, foam padded, high-back seat, covered with fabric
Heater/Defroster	18,596 BTU/h
Mirrors	Four, 1-flat and 1-convex at each side
Overhead consoles	Two
Passenger right seat	Fixed, foam padded, high-back seat, covered with fabric
Passenger center seat	Foam padded, covered with fabric, foldaway type with back seat console
Seat belts	3-point type (driver and passenger), one 2-point type (center)
Seating capacity	Three
Speakers	Two
Sun visors	Two
Windows	Power
Windshield wipers	Dual electric, 2-speed and intermittent

DASH INSTRUMENTATION

Meters and gauges ft. lb. system
Speedometer-mph (km/h)
Odometer (mile)
Fuel gauge / DEF gauge
Coolant temperature gauge
Engine tachometer
Economy meter
Warning and pilot lamps and buzzers/audio
ABS warning lamp
Air cleaner indicator
Back-up warning buzzer
Battery charging warning lamp
Brake oil level warning lamp
Cab tilt warning lamp and buzzer
Check transmission warning lamp
Economy indicator lamp
Engine control system warning lamp
Exhaust brake indicator lamp
Fuel level warning lamp
Hazard indicator lamp
High beam indicator lamp
Oil pressure warning lamp and buzzer
Parking brake warning lamp
Transmission oil temperature warning lamp

HYBRID SYSTEM

Ni-MH Battery, 288V
Traction Motor Max Power: 36kW / 1,000 rpm
Traction Motor Max Torque: 258ft-lb / 1,000 rpm
Inverter Max Power: 64KVA, 300V
Hybrid Adaptive Control System
Drive Mode Idle Stop
Eco Mode Driving Switch
Hybrid Indicator and Eco Lamp

ELECTRICAL EQUIPMENT

Batteries	Two, parallel connection, each 12V
Capacity	1850 CCA
Alternator	12 V, 130 A brushless
Starter	12 V, 4.80 kW, Denso
Auxiliary Switches	9 optional switch locations
Stereo	AM/FM radio with CD player
Headlamps	Daytime running
Headlamps	60/55W (high/low)
Back-up lamps	
Day-time running lamp	
Directional indicator and hazard lamp	
Fender marker lamp	
License plate lamp	
Marker and identification lamps (roof)	
Parking lamps	
Dome lamp	
Stop/Tail lamps	

OPTIONAL EQUIPMENT

Cab paint, exterior - Black, red, yellow, blue, green, silver
Cold weather package <ul style="list-style-type: none"> - Power heated mirrors - Engine block heater - Heated fuel filter
Engine block heater/heated fuel filter- 1,000 watts / 120V
Engine idle shutdown
GVW Derate 17,950 (factory order only)
Remote Keyless Entry
Key plate - Four key option
Manual windows and door locks
Mirror Bracket for 102" wide body
Mirrors, power heated
Radiator grille - Painted (match to cab)
Seat, driver's - Magnetic suspension with arm rest (premium moquette fabric only)
Seat - Vinyl fabric, center seat without seat back console (not available on crew cab)

NOTES

All specifications of the products are with normal manufacturing allowances and tolerances. Hino Motors Sales U.S.A., Inc. reserves the right to alter specifications at any time without previous notice. Some optional items of equipment many require extra time due to the need for their adaption on the product line.

