

2015 HINO 195h-DC COE

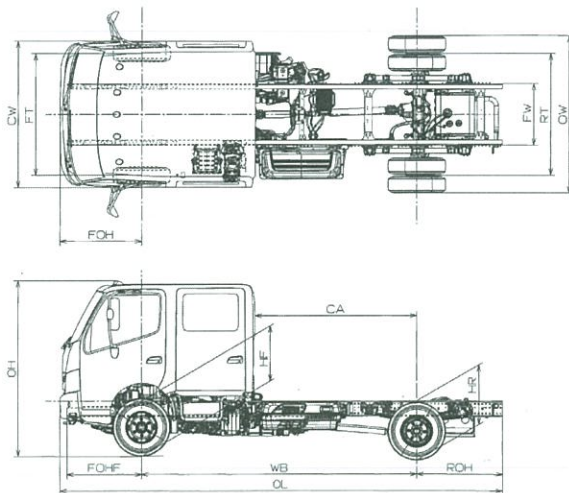


A Toyota Group Company

CAB OVER ENGINE GVW: 19,500 LBS. BBC: 66.5" ENGINE MODEL: J05E-UG DIESEL-ELECTRIC HYBRID

DIMENSIONS			
Cab Type		Crew	Crew
Wheelbase	A in.	149.6	173.2
Overall length	B in.	240.4	264.0
Overall width	C in.	84.1	84.1
Overall height	D in.	93.5	93.4
Cab width	E in.	78.5	78.5
Frame width	F in.	33.0	33.1
Useable cab to axle	G in.	82.1	105.8
Front overhang	H in.	44.4	44.4
Rear overhang	I in.	46.3	46.3
Frame height at			
Front axle	J in.	29.3	29.1
Rear axle	K in.	33.2	33.1
Road clearance (at diff. axle)	L in.	8.2	8.1
Tread			
Front	M in.	65.2	65.2
Rear	N in.	65.6	65.6
Turning radius			
Curb to Curb	ft.	46.7	53.4
Wall to Wall	ft.	50.9	57.6

CHASSIS WEIGHTS				
AT	Total weight	lb.	7,875	8,031
	Front axle	lb.	4,983	5,143
	Rear axle	lb.	2,892	2,888



ENGINE	
Model	HINO J05E-UG (Hybrid)
Type	Diesel-Electric Hybrid, 4-cycle, 4-cylinder in-line, water-cooled, dry cylinder line
Combustion system	Direct injection type
Max. output (SAE Gross)	210HP at 2,500 rpm
Max. torque (SAE Gross)	440 lb.-ft. at 1,500 rpm
Bore and stroke	4.41 x 5.12 in.
Piston displacement	5L
Fuel injection system	Radial plunger pump (HP-3)
Governor	Electronically controlled
Intake system	Turbocharged and intercooled
Air cleaner	Paper filter type (Donaldson)
Fan clutch	Viscous bimetal clutch
Glow plugs	Standard

POWERTRAIN AND PERFORMANCE		
GVW	19,500 lbs.	
GCWR	25,500 lbs.	
Powertrain	STD	OPT
Max. speed mph	68.4	64.6
Startability (tan.θ) %	60.0	60.0
Transmission	Model	Aisin A465
	Type	Six speed automatic
Ratios	1st	3.742
	2nd	2.003
	3rd	1.343
	4th	1.000
	5th	0.773
	6th	0.634
	Rev	3.539
Rear Axle Gear Ratios	5.571	5.857
Tires (standard)	225/70R19.5	

HINOWATCH (service free of charge)	
3 year unlimited roadside assistance	
<ul style="list-style-type: none"> • Lockout Service • Battery Jumpstart • Information • Warranty Towing (2 year coverage) 	



WEIGHT CAPACITIES		
Front axle	lbs.	6,830
Rear axle	lbs.	13,660
Front spring	lbs.	6,830
Rear spring	lbs.	13,660

LIQUID CAPACITIES		
Fuel tank	gal.	30
Cooling system	gal.	5.54
Engine oil	qt.	9.94
DEF tank	gal.	4.7

AXLE / SUSPENSION	
Front axle	Reversed Elliot, "I" beam
Front spring	Taper-leaf springs shock absorbers and stabilizer
Rear axle	Full-floating, single reduction; Single-speed by hypoid gearings
Rear spring	Taper-leaf springs shock absorbers

FRAME		
Ladder type		Straight section
Width	in.	33
Yield strength	PSI	56,900
Resisting bending moment (one side) (149.6 WB)	in.-lbs.	353,450 (no reinforcement)
Resisting bending moment (one side) (173.2 WB)	in.-lbs.	423,050 (no reinforcement)

STEERING	
Steering column	Tilt and telescopic with lock adjustability
Steering system	Recirculating ball, with hydraulic booster, integral type

WHEELS / TIRES	
6 Wheels	19.5X6 6-stud disc.
Wheel style	Steel, painted
6 Tires	225/70R19.5
Tire pattern	Fr-rib Rr-all season

BRAKES	
Service brake	Hydraulic system with disc brake for front and rear wheels
Disc diameter x pad area (in. ²) x thickness (in.)	Front: 13.72 x 4.37 x 0.51 Rear: 13.72 x 4.37 x 0.51
Control	Hydraulic assist, dual circuit
Parking brake	Mechanical, internal expanding acting on transmission output shaft
Parking brake Drum diameter	8 inches
Exhaust brake	Electric-pneumatic with valve in exhaust pipe

CHASSIS EQUIPMENT	
Front bumper	Painted cab color
Front stabilizer	
Fuel tank	Center mount
Fuel pre-filter	Heated fuel water separator
INSIGHT Telematics	
Radiator grille	Chrome

CAB EQUIPMENT	
Air conditioning	Standard
Cab construction	All steel welded
Cigarette lighter	Standard
Cruise control	Standard
Cup holders	Standard
Door locks	Power, Standard
Door pockets	Two
Driver's seat	Reclining, foam padded, high-back seat, covered with fabric
Heater/Defroster	18,596 BTU/h
Mirrors	Four, 1-flat and 1-convex at each side
Overhead consoles	Two
Passenger right seat	Fixed, foam padded, high-back seat, covered with fabric
Passenger center seat	Foam padded, covered with fabric, foldaway type with back seat console
Rear seat	Foldaway back type
Seat belts	7, 3-point type (4 sides), 2-point type (3 center)
Seating capacity	Seven
Speakers	Two
Sun visors	Two
Ventilator	Electric forced air
Windows	Power
Windshield wipers	Dual electric, 2-speed and intermittent

DASH INSTRUMENTATION	
Meters and gauges ft. lb. system	
	Speedometer-mph (km/h)
	Odometer (mile)
	Fuel gauge / DEF gauge
	Coolant temperature gauge
	Engine tachometer
	Economy meter
Warning and pilot lamps and buzzers/audio	
	ABS warning lamp
	Air cleaner indicator
	Back-up warning buzzer
	Battery charging warning lamp
	Brake oil level warning lamp
	Check transmission warning lamp
	Economy indicator lamp
	Engine control system warning lamp
	Exhaust brake indicator lamp
	Fuel level warning lamp
	Hazard indicator lamp
	High beam indicator lamp
	Oil pressure warning lamp and buzzer
	Parking brake warning lamp
	Transmission oil temperature warning lamp

HYBRID SYSTEM	
Ni-MH Battery	288V
Traction Motor Max Power	36kW / 1,000 rpm
Traction Motor Max Torque	258ft-lb / 1,000 rpm
Inverter Max Power	64KVA, 300V
Hybrid Adaptive Control System	
Drive Mode Idle Stop	
Eco Mode Driving Switch	
Hybrid Indicator and Eco Lamp	

ELECTRICAL EQUIPMENT	
Batteries	Two, parallel connection, each 12V
Capacity	1850 CCA
Alternator	12 V, 130 A brushless
Starter	12 V, 4.80 kW, Denso
Auxiliary Switches	9 vacant switches
Stereo	AM/FM radio with CD player
Headlamps	Daytime running
Headlamps	60/55W (high/low)
Back-up lamps	
Day-time running lamp	
Directional indicator and hazard lamp	
Fender marker lamp	
License plate lamp	
Marker and identification lamps (roof)	
Parking lamps	
Dome lamp	
Stop/Tail lamps	

OPTIONAL EQUIPMENT	
Cab paint, exterior - Black, red, yellow, blue, green	
Cold weather package	
- Power heated mirrors	
- Engine block heater	
- Heated fuel filter	
Cup holder	Rear
Engine block heater/heated fuel filter - 1,000 watts / 120V	
Fuel heater	
Fuel tank - 33 gallon side mount	
GVW Derate 17,950 (factory order only)	
Remote Keyless Entry	
Key plate - Four key option	
Manual windows and door locks	
Mirror Bracket for 102" wide body	
Mirrors, power heated	
Radiator grille - Painted (match to cab)	
Rear cooler with rear heater	
Rear heater	
Rear seat cover	Vinyl
Seat, driver's - Magnetic suspension with arm rest (premium moquette fabric only)	

NOTES	
All specifications of the products are with normal manufacturing allowances and tolerances. Hino Motors Sales U.S.A., Inc. reserves the right to alter specifications at any time without previous notice. Some optional items of equipment many require extra time due to the need for their adaption on the product line.	

