

2015 HINO 238

4 x 2 CONVENTIONAL GVW: 23,000 LBS. BBC: 108" ENGINE MODEL: J08E-VC (TURBO INTERCOOLED)



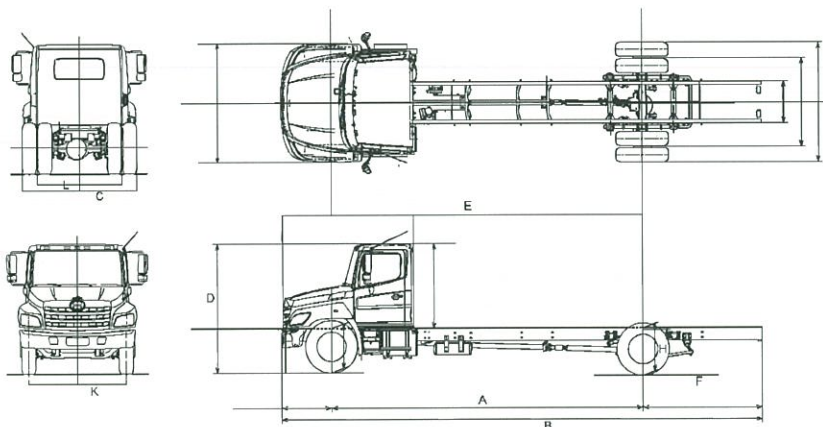
A Toyota Group Company

DIMENSIONS									
Wheelbase	A in.	152/G	175/J	187/L	205/M	217/P	235/R	253/T	271/V
Overall length	B in.	242.6	278.6	302.6	320.6	354.6	372.6	390.6	390.6
Overall width	C in.	96.3	96.3	96.3	96.3	96.3	96.3	96.3	96.3
Overall height	D in.	107.1	107.1	107.1	107.1	107.1	107.1	107.1	107.1
Cab to axle	E in.	84.6	107.6	119.6	137.6	149.6	167.6	185.6	203.6
Rear overhang	F in.	50.0	63.0	75.0	75.0	97.0	97.0	97.0	79.0
Frame height at									
Front axle	G in.	37.4	37.4	37.4	37.4	37.4	37.4	37.4	37.4
Rear axle	H in.	39.8	39.8	39.8	39.8	39.8	39.8	39.8	39.8
Road clearance (at diff. axle)	J in.	11.2	11.2	11.2	11.2	11.2	11.2	11.2	11.2
Tread									
Front	K in.	78.0	78.0	78.0	78.0	78.0	78.0	78.0	78.0
Rear	L in.	72.0	72.0	72.0	72.0	72.0	72.0	72.0	72.0
Turning diameter									
Curb to Curb	ft.	41.9	47.5	50.4	54.7	57.7	62.0	66.4	71.3
Wall to Wall	ft.	45.4	51.0	53.9	58.2	61.2	65.5	69.9	74.8

ENGINE	
Model	J08E-VC
Type	Diesel 4-cycle, 6-cylinder in-line water-cooled, dry cylinder line
Combustion system	Direct injection type
Max. output (SAE Gross)	220HP at 2,500 rpm
Max. torque (SAE Gross)	520 lb.-ft. at 1,500 rpm
Bore and stroke	4.41 x 5.12 in.
Piston displacement	8L
Fuel injection system	Common rail (HP-4)
Governor	Electronically controlled
Intake system	Turbocharged and intercooled
Air cleaner	Paper filter type (Donaldson)
Fan Clutch	Bimetal thermostat sensor regulates fan speed
Glow plugs	Standard
Air compressor	Single cylinder, 15 cfm @ 1,250 rpm

CHASSIS WEIGHTS									
Total weight	lb.	9,775	9,710	9,775	9,890	9,845	10,040	10,075	10,130
Front axle	lb.	6,040	6,160	6,215	6,310	6,385	6,370	6,470	6,470
Rear axle	lb.	3,735	3,550	3,560	3,580	3,460	3,670	3,605	3,660

POWERTRAIN AND PERFORMANCE				
GVW	23,000 lbs.			
GCWR*	26,000 lbs.			
Powertrain	STD	OPT	STD	OPT
Max. speed mph** (programmable)	75		75	
Startability (tan.θ) %	37.2		35.8	
Transmission	Model	Allison 2200 HS		
Fluids	Type	Synthetic Six-speed automatic		
Ratios	1st	3.102		
	2nd	1.811		
	3rd	1.406		
	4th	1.000		
	5th	0.712		
	6th	0.610		
	Rev	4.492		
Rear Axle Gear Ratios	5.29	5.13	5.29	5.13
Tires (standard)	255/10R22.5-14			



*Condition is City delivery and 8% max grades **Max speed is limited by speed limiter.

HINOWATCH (service free of charge)	
3 year unlimited roadside assistance	
<ul style="list-style-type: none"> • Lockout Service • Battery Jumpstart • Information • Warranty Towing (2 year coverage) 	



WWW.HINO.COM

WEIGHT CAPACITIES

Front axle	lbs.	8,000
Rear axle	lbs.	17,500
Front spring	lbs.	8,000
Rear spring	lbs.	19,000

LIQUID CAPACITIES

Fuel tank	gal.	50
Cooling system	gal.	6.6
Engine oil	qt.	16.2
DEF tank	gal.	4.7

AXLE / SUSPENSION

Front axle	MFS-8 series reversed Elliot, "I" beam (oil lubricated type)
Front spring	Taper-leaf springs shock absorber
Rear axle	RS17-145 series, full-floating, single reduction; single-speed by hypoid gearings
Rear spring	Semi-elliptic leaf spring

FRAME

Ladder type	Straight C Channel		
Width	in.	34	
Yield strength	PSI	80,000	
Resisting bending moment (one side)	in.-lbs.	152"WB 1,280,800	All Others 1,031,900

STEERING

Steering column	Tilt and telescopic with lock adjustability
Steering system	TRW recirculating ball, with hydraulic booster, integral type

WHEELS / TIRES

6 Wheels	22.5 x 8.25 10-stud disc.
Wheel style	Steel, powder coated
6 Tires	10R22.5-14
Tire pattern	Fr-rib Rr-all season

BRAKES

Service brake	Hydraulic system with disc brake for front and rear wheels with automatic adjustment
Disc diameter x pad area (in. ²) x thickness (in.)	Front: 15.375 x 18.96 x 0.74 Rear: 15.375 x 18.96 x 0.74
Control	Hydraulic dual circuit with Antilock Brake System (ABS)
Parking brake	Spring brake acting on rear wheels
Parking brake Drum diameter (in.)	12: Bosch
Exhaust brake	Electric-pneumatic with valve in exhaust pipe

CHASSIS EQUIPMENT

Radiator grille	Chrome
Fuel tank	Aluminum
Fuel pre-filter	Heated fuel water separator - Davco
Reflectors	Two rear, two front side
Tow hook	One at front
Air dryer	Nabtesco, heated
Air tank	34L
Clean chassis CA	Standard with 50 gal fuel tank mounted under cab (driver side)

CAB EQUIPMENT

Air conditioning	Standard
Cab construction	All steel welded
Cigarette lighter	Equipped
Coat hook	One (rear panel)
Cruise control	Standard
Cup holders	Standard
Door pockets	Two
Driver's seat	2-way adjustable seat with arm rest and air suspension, covered with vinyl
Heater/Defroster	18,357 BTU/h
Key plates	Two key option
Mirrors	Four, 1-flat and 1-convex at each side
Overhead consoles	Two
Passenger's seat	Bench type, covered with vinyl
Seat belts	3-point type (outside), one 2-point type (inside)
Seating capacity	Three
Speakers	Two
Sun visors	Two
Ventilator	Electric forced air
Windshield	Tinted
Windshield wipers	Dual electric, 2-speed/intermittent

DASH INSTRUMENTATION

Meters and gauges	ft. lb. system
	Speedometer-mph (km/h)
	Odometer (mile)
	Fuel gauge / DEF gauge
	Coolant temperature gauge
	Engine tachometer
Warning and pilot lamps and buzzers/audio	
	Oil pressure warning lamp and buzzer
	Brake pressure warning lamp and buzzer
	Coolant level warning lamp and buzzer
	Battery charging warning lamp
	High beam indicator lamp
	Parking brake warning lamp
	Engine control system warning lamp
	ABS warning lamp
	DEF quantity and quality audio
Driver Information Display (multilingual)	
	Instant and trip fuel consumption
	DPR monitor
	Maintenance
	Engine/vehicle diagnostics

ELECTRICAL EQUIPMENT

Batteries	Two, parallel connection, each 12V
Capacity	1200 CCA
Alternator	12 V, 130 A, brush Delco
Starter	12 V, 4.0 kW Denso
Car audio	AM/FM radio with CD player
Headlamps	Daytime running
Back-up lamps	
Dome lamp	
Electric horn (dual)	
Front side marker lamps	
Side-flasher lamp	
Stop/Tail lamps	
Trucklite LED marker lamps (front)	

OPTIONAL EQUIPMENT

Air horn
Air ride suspension - Hendrickson
Air ride suspension dump valve - Electric
Alternator - 12 V, 135 A, brushless Delco
Alternator - 12 V, 180 A, brush Delco
Anti-Siphon device insert in fuel tank
Back-up alarm
Battery - Absorbed glass mat 31 configuration, 1850 CCA
Battery - Three each 12 V (GR27x3)
Battery - Two or three each 12 V (GR31 type)
Bluetooth
Bumpers; chrome, black, white
4 inch extensions
Cab paint, exterior - Black or red (factory)
Cold weather package <ul style="list-style-type: none"> - Power heated mirrors (available in chrome) - Engine block heater only/Engine block heater and cable - Heated fuel filter
Engine block heater
Engine idle shutdown
Exhaust system - Vertical stack type
Extra switch - dome light switch
Fuel tank - Dual 50 gal
Fuel tank - Single 90 gal. (except on G wheelbase)
Hino INSIGHT Telematics System
Key plates four key option
Keyed alike - Matching key codes
Keyless Entry
Manual Windows/Door Locks
Mirrors, fender mounted - Chrome (both sides or passenger only)
Mirrors, outside rearview - Chrome
Mirrors, power heated (available in Chrome)
Orange seatbelts
Power windows and power door locks (available with keyless entry)
Programmable speed limit 65, 70 mph
Rear helper spring - Sub-leaf type
Seats - Fabric with reclining single person passenger seat
Seats - Vinyl with reclining single person passenger seat
Seats - Fabric with two person bench seat
Sears seat - Vinyl black or fabric black/silver (upgrade driver seat only or with passenger seat upgrade)
Shock absorbers, rear
Stabilizer, rear (leaf suspension only)
Synthetic fluid - Rear differential
Tire pattern - Rib on rear
Transmission, automatic - Allison 2200 RDS
Wheels - Alcoa polished aluminum
Wheels - Powder coated gray

NOTES

All specifications of the products are with normal manufacturing allowances and tolerances. Hino Motors Sales U.S.A., Inc. reserves the right to alter specifications at any time without previous notice. Some optional items of equipment may require extra time due to the need for their adaption on the product line.