

# 2015 HINO 258ALP

4 x 2 CONVENTIONAL GVW: 25,500 LBS. BBC: 108" ENGINE MODEL: J08E-VC (TURBO INTERCOOLED)



A Toyota Group Company

## DIMENSIONS

Wheelbase	A in.	152/G	175/J	187/L	205/M	212/N	217/P	235/R	253/T	271/V
Overall length	B in.	242.6	278.6	302.6	320.6	354.6	354.6	372.6	390.6	390.6
Overall width	C in.	95.7	95.7	95.7	95.7	95.7	95.7	95.7	95.7	95.7
Overall height	D in.	103.0	103.0	103.0	103.0	103.0	103.0	103.0	103.0	103.0
Cab to axle	E in.	84.6	107.6	119.6	137.6	144.6	149.6	167.6	185.6	203.6
Rear overhang	F in.	50.0	63.0	75.0	75.0	50.0	97.0	97.0	97.0	79.0
Frame height at										
Front axle	G in.	33.3	33.3	33.3	33.3	33.3	33.3	33.3	33.3	33.3
Rear axle	H in.	35.4	35.4	35.4	35.4	35.4	35.4	35.4	35.4	35.4
Road clearance (at diff. axle)	J in.	7.1	7.1	7.1	7.1	7.1	7.1	7.1	7.1	7.1
Tread										
Front	K in.	79.9	79.9	79.9	79.9	79.9	79.9	79.9	79.9	79.9
Rear	L in.	72.4	72.4	72.4	72.4	72.4	72.4	72.4	72.4	72.4
Turning diameter										
Curb to Curb	ft.	42.3	47.9	50.9	55.2	57.0	58.2	62.6	67.0	71.4
Wall to Wall	ft.	45.7	51.3	54.3	58.7	60.4	61.6	66.0	70.4	74.8

## CHASSIS WEIGHTS

Total weight	lb.	9,865	9,810	9,865	9,975	9,930	10,085	10,130	10,165	10,220
Front axle	lb.	6,085	6,230	6,260	6,360	6,445	6,370	6,435	6,540	6,540
Rear axle	lb.	3,780	3,580	3,605	3,615	3,485	3,715	3,695	3,625	3,680

## ENGINE

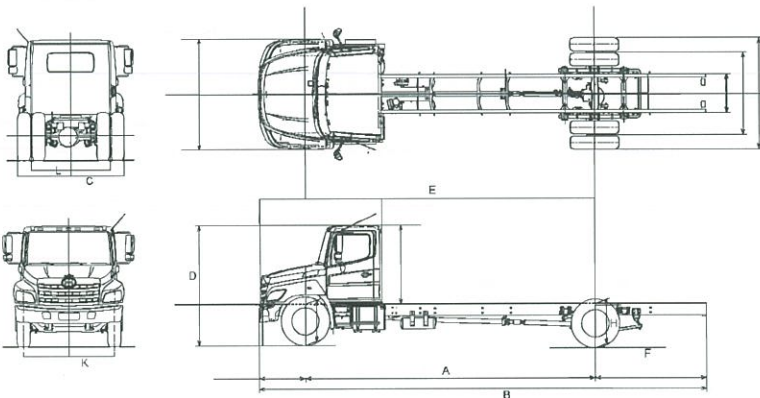
Model	J08E-VC
Type	Diesel 4-cycle, 6-cylinder in-line water-cooled, dry cylinder line
Combustion system	Direct injection type
Max. output (SAE Gross)	220HP at 2,500 rpm
Max. torque (SAE Gross)	520 lb.-ft. at 1,500 rpm
Bore and stroke	4.41 x 5.12 in.
Piston displacement	8L
Fuel injection system	Common rail (HP-4)
Governor	Electronically controlled
Intake system	Turbocharged and intercooled
Air cleaner	Paper filter type (Donaldson)
Fan clutch	Bimetal thermostat sensor regulates fan speed
Glow plugs	Standard
Air compressor	Single cylinder, 15 cfm @ 1,250 rpm

## POWERTRAIN AND PERFORMANCE

GVW	25,500 lbs.			25,500 lbs.		
GCWR*	26,000 lbs.			26,000 lbs.		
Powertrain	STD			OPT.		
Max. speed mph** (programmable)	75			75		
Startability (tan.θ) %	31.8	38.8	41.2	31.8	38.8	41.2
Transmission	Model	Allison 2200 RDS			Allison 2500 RDS	
Fluids	Synthetic					
	Type	Six-speed automatic			Six-speed automatic	
Ratios	1st	3.102			3.512	
	2nd	1.811			1.896	
	3rd	1.406			1.439	
	4th	1.000			1.000	
	5th	0.712			0.737	
	6th	0.610			0.640	
	Rev	4.492			5.086	
Rear Axle Gear Ratios	4.11	4.88	5.13	4.11	4.88	5.13
Tires (standard)	245/70R19.5			245/70R19.5		

## HINOWATCH (service free of charge)

- 3 year unlimited roadside assistance
  - Lockout Service
  - Battery Jumpstart
  - Information
  - Warranty Towing (2 year coverage)



WWW.HINO.COM

## WEIGHT CAPACITIES

Front axle	lbs.	10,000
Rear axle	lbs.	17,500
Front spring	lbs.	8,000
Rear spring	lbs.	19,000

## LIQUID CAPACITIES

Fuel tank	gal.	50
Cooling system	gal.	6.6
Engine oil	qt.	16.2
DEF tank	gal.	4.7

## AXLE / SUSPENSION

Front axle	MFS-10 series reversed Elliot, "I" beam (oil lubricated type)
Front spring	Taper-leaf springs shock absorber
Rear axle	RS17-145 series, full-floating, single reduction, single-speed by hypoid gearings
Rear spring	Semi-elliptic leaf spring

## FRAME

Ladder type	Straight C Channel		
Width	in.	34	
Yield strength	PSI	80,000	
Resisting bending moment (one side, no reinforcement)	in.-lbs.	152"WB 1,280,800	All Others 1,031,900

## STEERING

Steering column	Tilt and telescopic with lock adjustability
Steering system	TRW recirculating ball, with hydraulic booster, integral type

## WHEELS / TIRES

6 Wheels	19.5 x 6.75 10-stud disc.
Wheel style	Steel, powder coated
6 Tires	245/70R19.5(G)
Tire pattern	Fr-rib Rr-all season

## BRAKES

Service brake	Full air, dual circuit, "S" cam type, leading and trailing shoes with automatic adjustment
Drum diameter x lining width (in.) x thickness (in.)	Front: 15 x 4 x 0.73 Rear: 15 x 8.625 x 0.73
Control	Full air dual circuit with Antilock Brake System (ABS)
Parking brake	Spring brake acting on rear wheels
Exhaust brake	Electric-pneumatic with valve in exhaust pipe

## CHASSIS EQUIPMENT

Radiator grille	Chrome
Fuel tank	Aluminum
Fuel pre-filter	Heated fuel water separator - Davco
Reflectors	Two rear, two front side
Tow hook	One at front
Air dryer	Bendix, heated
Air tank	68L
Clean chassis CA	Standard with 50 gal fuel tank mounted under cab (driver side)

## CAB EQUIPMENT

Air conditioning	Standard
Cab construction	All steel welded
Cigarette lighter	Equipped
Coat hook	One (rear panel)
Cruise control	Standard
Cup holders	Standard
Door pockets	Two
Driver's seat	2-way adjustable seat with arm rest and air suspension, covered with vinyl
Heater/Defroster	18,357 BTU/h
Key plates	Two key option
Mirrors	Four, 1-flat and 1-convex at each side
Overhead consoles	Two
Passenger's seat	Bench type, covered with vinyl
Seat belts	3-point type (driver and passenger), one 2-point type (center)
Seating capacity	Three
Speakers	Two
Sun visors	Two
Ventilator	Electric forced air
Windows	Power
Windshield	Tinted
Windshield wipers	Dual electric, 2-speed/intermittent

## DASH INSTRUMENTATION

Meters and gauges	ft. lb. system
	Speedometer-mph (km/h)
	Odometer (mile)
	Fuel gauge / DEF gauge
	Coolant temperature gauge
	Engine tachometer
Warning and pilot lamps and buzzers/audio	
	Oil pressure warning lamp and buzzer
	Brake pressure warning lamp and buzzer
	Coolant level warning lamp and buzzer
	Battery charging warning lamp
	High beam indicator lamp
	Parking brake warning lamp
	Engine control system warning lamp
	ABS warning lamp
	DEF quantity and quality audio
Driver Information Display (multilingual)	
	Instant and trip fuel consumption
	DPR monitor
	Maintenance
	Engine/vehicle diagnostics

## ELECTRICAL EQUIPMENT

Batteries	Two, parallel connection, each 12V
Capacity	1200 CCA
Alternator	12 V, 130 A, brush Delco
Starter	12 V, 4.0 kW Denso
Car audio	AM/FM radio with CD player
Headlamps	Daytime running
Back-up lamps	
Dome lamp	
Electric horn (dual)	
Front side marker lamps	
Side-flasher lamp	
Stop/Tail lamps	
Trucklite LED marker lamps (front)	

## OPTIONAL EQUIPMENT

260 HP Engine
Air horn
Air ride suspension - Hendrickson
Air ride suspension dump valve - Electric
Alternator - 12 V, 135 A, brushless Delco
Alternator - 12 V, 180 A, brush Delco
Anti-Siphon device insert in fuel tank
Back-up alarm
Battery - Absorbed glass mat 31 configuration, 1850 CCA
Battery - Three each 12 V (GR27x3)
Battery - Two or connection each 12 V (GR31 type)
Bluetooth
Bumpers; chrome, black, white
4 inch extensions
Cab paint, exterior - Black or red (factory)
Cold weather package <ul style="list-style-type: none"> <li>- Power heated mirrors (available in chrome)</li> <li>- Engine block heater only/Engine block heater and cable</li> <li>- Heated fuel filter</li> </ul>
Differential lock with controls
Engine block heater
Engine idle shutdown
Exhaust system - Vertical stack type
Extra switch - dome light switch
Fuel tank - Dual 50 gal
Fuel tank - Single 90 gal. (except on G or N wheelbase)
Hino INSIGHT Telematics System
Keyed alike - Matching key codes
Keyless Entry
Key plates four key option
Mirrors, fender mounted - Chrome (both sides or passenger only)
Mirrors, outside rearview - Chrome
Mirrors, power heated (available in Chrome)
Orange seatbelts
Power windows and power door locks (available with keyless entry)
Programmable speed limit 65, 70 mph
Rear helper spring - Sub leaf type
Seats - Fabric with reclining single person passenger seat
Seats - Vinyl with reclining single person passenger seat
Seats - Fabric with two person bench seat
Sears seat - Vinyl black or fabric black/silver (upgrade driver seat only or with passenger seat upgrade)
Shock absorbers, rear
Stabilizer, rear (leaf suspension only)
Synthetic fluids - Rear differential
Tire pattern - Rib on rear
Tow hooks - Two at front
Wheels - Alcoa polished aluminum
Wheels - Powder coated gray

## NOTES

All specifications of the products are with normal manufacturing allowances and tolerances. Hino Motors Sales U.S.A., Inc. reserves the right to alter specifications at any time without previous notice. Some optional items of equipment may require extra time due to the need for their adaption on the product line.