

2015 HINO 268

4 x 2 CONVENTIONAL GVW: 25,950 LBS. BBC: 108" ENGINE MODEL: J08E-VC (TURBO INTERCOOLED)



A Toyota Group Company

DIMENSIONS									
Wheelbase	A in.	152/G	175/J	187/L	205/M	217/P	235/R	253/T	271/V
Overall length	B in.	242.6	278.6	302.6	320.6	354.6	372.6	390.6	390.6
Overall width	C in.	96.3	96.3	96.3	96.3	96.3	96.3	96.3	96.3
Overall height	D in.	106.9	106.9	106.9	106.9	106.9	106.9	106.9	106.9
Cab to axle	E in.	84.6	107.6	119.6	137.6	149.6	167.6	185.6	203.6
Rear overhang	F in.	50.0	63.0	75.0	75.0	97.0	97.0	97.0	79.0
Frame height at									
Front axle	G in.	37.0	37.0	37.0	37.0	37.0	37.0	37.0	37.0
Rear axle	H in.	39.8	39.8	39.8	39.8	39.8	39.8	39.8	39.8
Road clearance (at diff. axle)	J in.	11.2	11.2	11.2	11.2	11.2	11.2	11.2	11.2
Tread									
Front	K in.	78.9	78.9	78.9	78.9	78.9	78.9	78.9	78.9
Rear	L in.	72.0	72.0	72.0	72.0	72.0	72.0	72.0	72.0
Turning diameter									
Curb to Curb	ft.	42.0	47.5	50.5	54.8	57.7	62.1	66.4	70.8
Wall to Wall	ft.	45.4	50.9	53.9	58.2	61.1	65.5	69.8	74.2

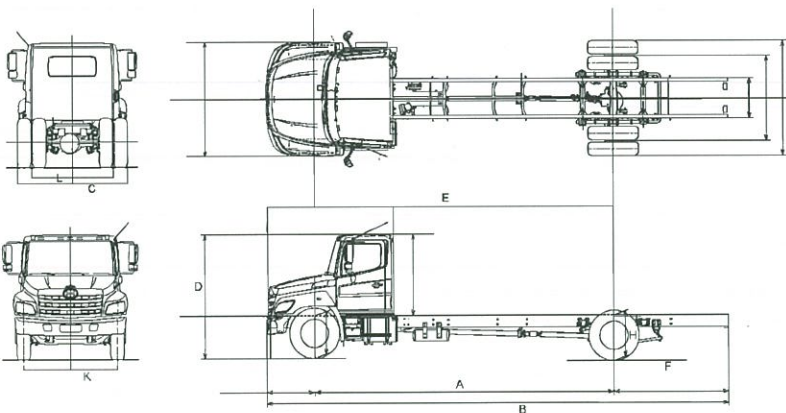
CHASSIS WEIGHTS									
Total weight	lb.	9,900	9,845	9,910	10,010	10,120	10,165	10,195	10,260
Front axle	lb.	6,165	6,295	6,350	6,430	6,440	6,495	6,590	6,600
Rear axle	lb.	3,735	3,550	3,560	3,580	3,680	3,670	3,605	3,660

ENGINE	
Model	J08E-VC
Type	Diesel 4-cycle, 6-cylinder in-line water-cooled, dry cylinder line
Combustion system	Direct injection type
Max. output (SAE Gross)	220HP at 2,500 rpm
Max. torque (SAE Gross)	520 lb.-ft. at 1,500 rpm
Bore and stroke	4.41 x 5.12 in.
Piston displacement	8L
Fuel injection system	Common rail (HP-4)
Governor	Electronically controlled
Intake system	Turbocharged and intercooled
Air cleaner	Paper filter type (Donaldson)
Fan clutch	Bimetal thermostat sensor regulates fan speed
Glow plugs	Standard
Air compressor	Single cylinder, 15 cfm @ 1,250 rpm

POWERTRAIN AND PERFORMANCE						
GVW	25,950 lbs.					
GCWR*	26,000 lbs.		33,000 lbs.			
Powertrain	STD	OPT		OPT		
Max. speed mph** (programmable)	75	75	75	75	75	75
Startability (tan.θ) %	34.3	31.2	32.3	39.6	36.0	37.3
Transmission	Model	Allison 2200 HS / RDS			Allison 2500 RDS	
Fluids	Synthetic					
Ratios	Type	Six-speed automatic			Six-speed automatic	
	1st	3.102			3.512	
	2nd	1.811			1.896	
	3rd	1.406			1.439	
	4th	1.000			1.000	
	5th	0.712			0.737	
	6th	0.610			0.640	
Rev	4.492			5.086		
Rear Axle Gear Ratios	5.57	5.13	5.29	5.57	5.13	5.29
Tires (standard)	11R22.5-14					

*Condition is City delivery and 8% Max Grades

** Max speed is limited by speed limiter.



HINOWATCH (service free of charge)	
3 year unlimited roadside assistance	
<ul style="list-style-type: none"> Lockout Service Battery Jumpstart Information Warranty Towing (2 year coverage) 	



WWW.HINO.COM

WEIGHT CAPACITIES

Front axle	lbs.	10,000
Rear axle	lbs.	19,000
Front spring	lbs.	12,000
Rear spring	lbs.	21,000

LIQUID CAPACITIES

Fuel tank	gal.	50
Cooling system	gal.	6.6
Engine oil	qt.	16.2
DEF tank	gal.	4.7

AXLE / SUSPENSION

Front axle	MFS-10 series reversed Elliot, "I" beam (oil lubricated type)		
Front spring	Taper-leaf springs shock absorber		
Rear axle	RS19-145 series, full-floating, single reduction, single-speed by hypoid gearings		
Rear spring	Semi-elliptic leaf spring		

FRAME

Ladder type	Straight C Channel		
Width	in.	34	
Yield strength	PSI	80,000	
Resisting bending moment (one side, no reinforcement)	in.-lbs.	152"WB 1,280,800	All Others 1,031,900

STEERING

Steering column	Tilt and telescopic with lock adjustability		
Steering system	TRW recirculating ball, with hydraulic booster, integral type		

WHEELS / TIRES

6 Wheels	22.5 x 8.25 10-stud disc.		
Wheel style	Steel, powder coated		
6 Tires	11R22.5(G)		
Tire pattern	Fr-rib Rr-all season		

BRAKES

Service brake	Hydraulic system with disc brake for front and rear wheels, with automatic adjustment		
Disc diameter x pad area (in. ²) x thickness (in.)	Front: 15.375 x 18.96 x 0.74 Rear: 15.375 x 18.96 x 0.74		
Control	Hydraulic dual circuit with Antilock Brake System (ABS)		
Parking brake	Mechanical, internal expanding acting on differential		
Parking brake Drum diameter (in.)	12: Bosch		
Exhaust brake	Electric-pneumatic with valve in exhaust pipe		

CHASSIS EQUIPMENT

Radiator grille	Chrome		
Fuel tank	Aluminum		
Fuel pre-filter	Heated fuel water separator - Davco		
Reflectors	Two rear, two front side		
Tow hook	One at front		
Air dryer	Nabtesco, heated		
Air tank	34L		
Clean chassis CA	Standard with 50 gal fuel tank mounted under cab (driver side)		

CAB EQUIPMENT

Air conditioning	Standard		
Cab construction	All steel welded		
Cigarette lighter	Equipped		
Coat hook	One (rear panel)		
Cruise control	Standard		
Cup holders	Standard		
Door pockets	Two		
Driver's seat	2-way adjustable seat with arm rest and air suspension, covered with vinyl		
Heater/Defroster	18,357 BTU/h		
Key plates	Two key option		
Mirrors	Four, 1-flat and 1-convex at each side		
Overhead consoles	Two		
Passenger's seat	Bench type, covered with vinyl		
Seat belts	3-point type (outside), one 2-point type (inside)		
Seating capacity	Three		
Speakers	Two		
Sun visors	Two		
Windshield	Tinted		
Windshield wipers	Dual electric, 2-speed/intermittent		
Windows	Power		

DASH INSTRUMENTATION

Meters and gauges	ft. lb. system		
	Speedometer-mph (km/h)		
	Odometer (mile)		
	Fuel gauge / DEF gauge		
	Coolant temperature gauge		
	Engine tachometer		
Warning and pilot lamps and buzzers/audio			
	Oil pressure warning lamp and buzzer		
	Brake pressure warning lamp and buzzer		
	Coolant level warning lamp and buzzer		
	Battery charging warning lamp		
	High beam indicator lamp		
	Parking brake warning lamp		
	Engine control system warning lamp		
	ABS warning lamp		
	DEF quantity and quality audio		
Driver Information Display (multilingual)			
	Instant and trip fuel consumption		
	DPR monitor		
	Maintenance		
	Engine/vehicle diagnostics		

ELECTRICAL EQUIPMENT

Batteries	Two, parallel connection, each 12V		
Capacity	1200 CCA		
Alternator	12 V, 130 A, brush Delco		
Starter	12 V, 4.0 kW Denso		
Car audio	AM/FM radio with CD player		
Headlamps	Daytime running		
Back-up lamps			
Dome lamp			
Electric horn (dual)			
Front side marker lamps			
Side-flasher lamp			
Stop/Tail lamps			
Trucklite LED marker lamps (front)			

OPTIONAL EQUIPMENT

Air horn
Air ride suspension - Hendrickson
Air ride suspension dump valve - Electric
Alternator - 12 V, 135 A, brushless Delco
Alternator - 12 V, 180 A, brush Delco
Anti-Siphon device insert in fuel tank
Back-up alarm
Battery - Absorbed glass mat 31 configuration, 1850 CCA
Battery - Three each 12 V (GR27x3)
Battery - Two or three each 12 V (GR31 type)
Bluetooth
Bumpers; chrome, black, white
4 inch extensions
Cab paint, exterior - Black or red (factory)
Cold weather package <ul style="list-style-type: none"> - Power heated mirrors (available in chrome) - Engine block heater only/Engine block heater and cable - Heated fuel filter
Engine block heater
Engine idle shutdown
Exhaust system - Vertical stack type
Extra switch - dome light switch
Fuel tank - Dual 50 gal
Fuel tank - Single 90 gal. (except on G wheelbase)
Hino INSIGHT Telematics System
Keyed alike - Matching key codes
Keyless Entry
Key plates four key option
Mirrors, fender mounted - Chrome (both sides or passenger only)
Mirrors, outside rearview - Chrome
Mirrors, power heated (available in Chrome)
Orange seatbelts
Power windows and power door locks (available with keyless entry)
Programmable speed limit 65, 70 mph
Rear helper spring - Sub leaf type
Seat - Driver's seat with air suspension
Seats - Fabric with reclining single person passenger seat
Seats - Vinyl with reclining single person passenger seat
Seats - Fabric with two person bench seat
Sears seat - Vinyl black or fabric black/silver (upgrade driver seat only or with passenger seat upgrade)
Shock absorbers, rear
Stabilizer, rear (leaf suspension only)
Synthetic fluids - Rear differential
Tire pattern - Rib on rear
Tire size - 255/70R22.5-16(H)
Transmission, automatic - Allison 2200 RDS
Transmission, automatic - Allison 2500 RDS
Wheels - Alcoa polished aluminum
Wheels - Powder coated gray

NOTES

All specifications of the products are with normal manufacturing allowances and tolerances. Hino Motors Sales U.S.A., Inc. reserves the right to alter specifications at any time without previous notice. Some optional items of equipment may require extra time due to the need for their adaption on the product line.