

MACCK[®]

vocational

TerraPro

CABOVER

6x4

MRU633

- CNG Gas Powered Refuse Vehicle

STANDARD POWERTRAIN SPECIFICATIONS

ENGINE: CUMMINS WESTPORT ISL G 320

Horsepower – 320 HP [234 kW] @ 2000 RPM

Max. Torque – 1000 lb/ft @ 1300RPM

Engine Type - 4 Cycle, Spark Ignited, Inline 6 Cylinder, Turbocharged, Charge Air Cooler (CAC)

Displacement - 540 cu. in. [8.9 L]

Air Compressor – CUMMINS Twin 30.4 CFM

Air Cleaner – 15" Single Element w/Snorkel Intak

Alternator, Delco 12V 130A (24SI)

Batteries, (3) Mack 12V 650/1950 CCA Threaded Stud Type

Coolant Protection, -34°F (-37°C)

Remote Mounted Oil Cooler

Engine Block Heater – CUMMINS 120V 1500W

Silicone Engine Hoses and Tubing

Fan Drive, Electronically Modulated Type - Horton DM 2-Speed Fan

Flywheel Housing, Aluminum

Silicone Radiator & Heater Hoses

Starter, 12V Delco 39 MT MXT

Electronic Starter Interlock

Battery Box Lid

SPECIFICATIONS



STANDARD POWERTRAIN SPECIFICATIONS (Continued)

TRANSMISSION: ALLISON 4500-RDS-6

6-Speed Automatic, Ratios: 4.70 Low – 0.67 High
Includes: Direct Mount Oil Cooler, External Oil Cooler,
Internal Filter and Oil Level Sensor
Main Driveline – Meritor 17 MXL “Xtended Lube”
Interaxle Driveline: Meritor 17 MXL “Xtended Lube”
TC521 Torque Converter

REAR AXLE: MACK S38R

38,000 lb Capacity
Tires – 11R22.5
Carrier – CRDP150/151
Wheels – Steel Disc (8) 22.5" x 8.25" 10-Hole Hub Piloted
Brakes – Bendix “S” Cam 16.5" x 7" Cast Spider
Brake Drums Cast Outboard Mounted
Rear Wheel Seals

Slack Adjusters – Automatic
Suspension – SS38 Mack Multileaf 38,000 lb Capacity
Spring Brake Chambers – (4) 30/30 Double Diaphragm
Type/Mechanical Spring Release
Trunnion Bushing

FRONT AXLE: MACK FXL12

12,000 lb. Capacity
Tires – 11R22.5
Wheels – Steel Disc (2) 22.5" x 8.25" 10-Hole Hub Piloted
Brakes – Bendix “S” Cam 16.5" x 5" Cast Spider
Brake Drums Cast Outboard Mounted
Slack Adjusters – Automatic
Suspension – Mack Multileaf 12,000 lb. Ground Load Rating
Steering – M100P Sheppard Integral Power Steering

STANDARD CAB INTERIOR/EXTERIOR SPECIFICATIONS

CAB: CA531 LOW PROFILE COE

Air Restriction Monitor, Graduated Lock Up Type (Air
Cleaner Intake Mounted)
Ash Tray w/Hinged Cover
Cab Mounting, Four Point Fixed Type
Cab Tilt, Pump Mounted on RH Fender Bracket
Cigar Lighter
Coat Hook
Doors, Fiberglass – Sliding Type Side Windows, Screened
Vent (LH), Peep Window (RH)
Engine Shutoff – Key Type Control
Front Fenders, Polyurethane
Floor Mat, Rubber w/Closed Cell Vinyl Nitrile Backing
Gauges – Dual Air Pressure, Voltmeter, Engine Coolant
Temperature, Engine Oil Pressure, Fuel
Level, Speedometer, Tachometer
Grab Handles, Aluminum RH & LH Behind Door
Heater w/Integral Defroster
Horn – (1) Twin Trumpet Mounted Under Cab Single Tone
w/Snow Shield
Identification and Clearance Lights (7)
TMC Recommended Instrument Panel (Painted Silver)
Interior Trim – Slate Gray Vinyl
Keys – (2) Keyed at Random
Low Air Pressure Indicator Light and Buzzer
Exterior Mirrors –RH & LH Bright Finish Mack Bulldog
w/Stainless Steel Arms
Mud Flaps – 12" Front Fender Mounted

Overhead Storage
Parking Brake Control w/Warning Light
AM/FM Stereo CD w/Weather Band
CB – Powerleads in Overhead Console
Rear Window, Fixed
Driver Seat – Driver Seat – Sears Seating C-2 with Fabriform
Cushions (Mid-Back) Air Suspension
Rider Seat – Sears Seating
C-2 with Fabriform
Cushions (Mid-Back)
Seat Covering, Black
Cloth
Seat Belts – Lap and
Shoulder w/Locking
Seat Belt Retractors
Side Markers – Lamps and
Reflectors
Key Type Starter Switch
Steering Column, Fixed
Steering Wheel – Two Spoke Urethane Grip Painted Spokes
& Bulldog Horn Cap
Interior Sun Visors Both Sides
Turn Signal Switch, Manual Cancelling
Windshield Corner Wind Deflector
Safety Tinted Windshield, Side and Rear Windows
Windshield Corner Wind Deflector
Windshield Washers – Wiper Mounted with 7qt Reservoir
Windshield Wipers – Electric Motor w/Intermittent Feature
Paint – Mack White (Cab, Hood & Fenders), Mack Black
(Chassis Running Gear)



ADDITIONAL STANDARD SPECIFICATIONS

AIR/BRAKE

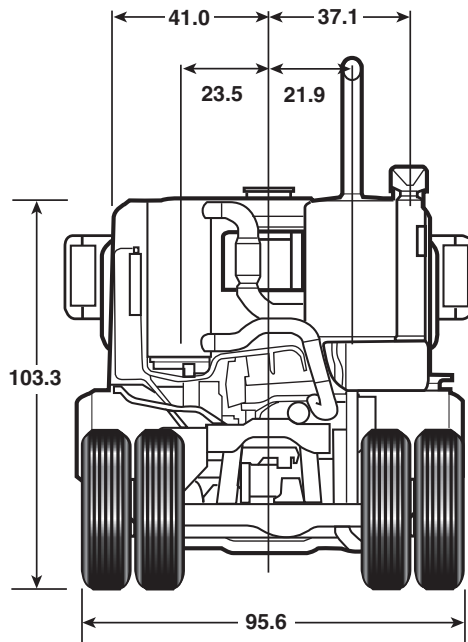
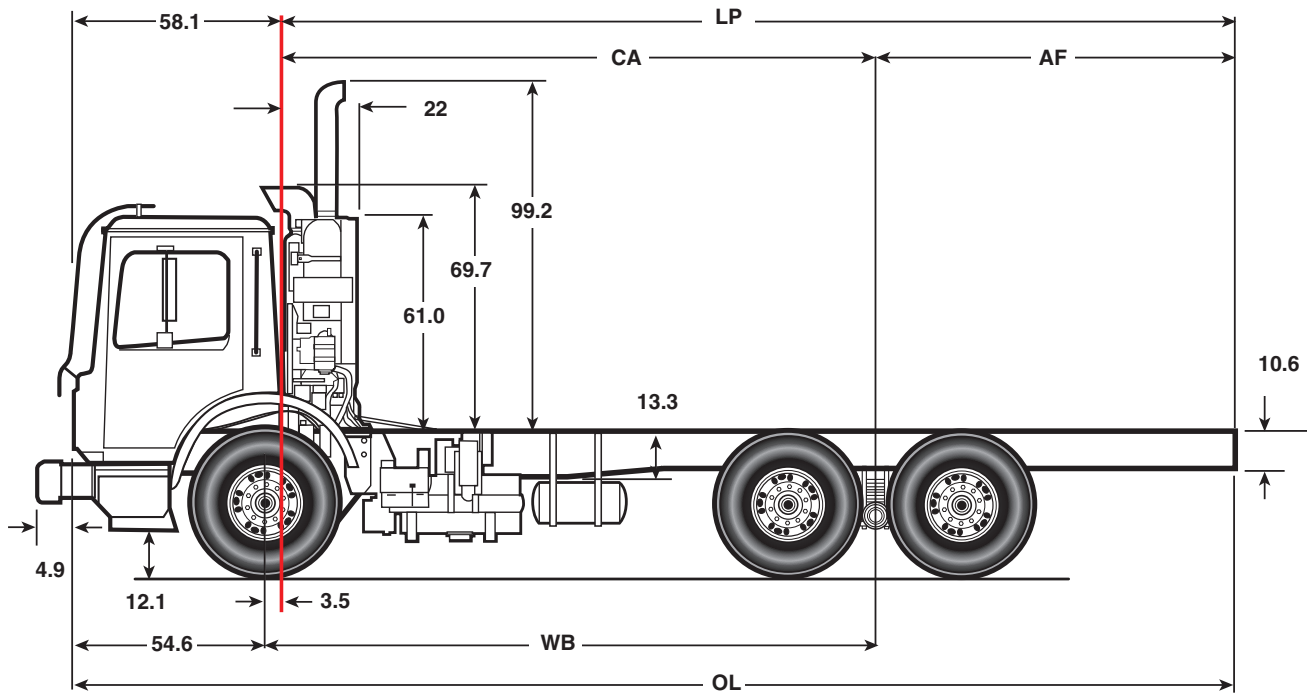
Dual Air Brake System
Air Dryer - Heated 1800 w/Coalescing Filter
Air Reservoirs – Steel 5100 in.³ Capacity
Bendix Anti-Lock Brake System

ELECTRICAL

12Volt Electrical System
Battery Box & Covers – Painted Steel Cover
Daytime Running Lights
Electric Circuit Protection Package
Waterproof Electrical Connections
Control Link II
Headlights – (2) Single Round Halogen Lamps
Rear Lighting
Transistorized Turn Signal

STANDARD CHASSIS DIMENSIONS

(All measurements are in inches)



FRAME

- Frame Rails w/Liner – 13.25 x 3.25" x .3125" Steel
- Section Modulus, 26.06 in.³
- RBM (per rail) – 3,127,200 lb. in.
- Inside Channel Reinforcement
- Bumper – Extended Swept Back Steel Channel
- Bumper to Back of Cab (BBC) – 63"
- Crossmembers – 1/2" Plate Type Bolted BOC Intermediate
1/8" Below Top of Rail
- Front Tow Pin

STANDARD WHEELBASE/LOAD PLATFORM

For standard wheelbase and load platform information refer to your current version of MACKTRAQ

AVAILABLE DRIVELINE COMPONENTS

TRANSMISSIONS

MODEL	SPEEDS	RATIOS (LOW/HIGH)
ALLISON		
3000 RDS	5	3.49/0.75
3000 RDS	6	3.49/0.65
4500 RDS	5	4.70/0.76
4500 RDS	6	4.70/0.67

ENGINES

MODEL	HORSEPOWER
CUMMINS	
ISL G 320	320 HP [239 kW] @ 2000

AXLES

CAPACITY	MAKE	MODEL
FRONT AXLES		
12,000 lb. [5 443 kg]	MACK	FXL12
14,600 lb. [6 600 kg]	MACK	FXL14.6
18,000 lb. [8 165 kg]	MACK	FXL18
20,000 lb. [9 072 kg]	MACK	FXL20
23,000 lb. [10 433 kg]	MACK	FXL23
REAR AXLES		
38,000 lb. [17 237 kg]	MACK	S38R/SB38
44,000 lb. [19 958 kg]	MACK	S440
46,000 lb. [20 886 kg]	MACK	S440-46/S462
	MERITOR	RT46-160
52,000 lb. [23 600 kg]	MACK	S522
58,000 lb. [26 309 kg]	MACK	S582

A SALES ENGINEERING PUBLICATION

The information in this brochure was accurate as of the date of the publication. Illustrations may not be representative of current product. Mack Trucks, Inc. reserves the right to make changes in specifications, equipment or design, or to discontinue models or options without notice at any time.

