

# MACCK<sup>®</sup>

vocational

## TerraPro

LOW ENTRY  
LEU 633

6x4  
LEU633

- CNG Gas Powered Refuse Vehicle

### STANDARD POWERTRAIN SPECIFICATIONS

**ENGINE: CUMMINS WESTPORT ISL G 320**

Horsepower – 320 HP [234 kW] @ 2000 RPM

Max. Torque – 1000 lb/ft @ 1300RPM

Engine Type - 4 Cycle, Spark Ignited, Inline 6 Cylinder,  
Turbocharged, Charge Air Cooler (CAC)

Displacement - 540 cu. in. [8.9 L]

Air Compressor – CUMMINS Twin 30.4 CFM

Air Cleaner – 15" Single Element w/Snorkel Intak

Alternator, Delco 12V 130A (24SI)

Batteries, (3) Mack 12V 650/1950 CCA Threaded Stud Type

Coolant Protection, -34°F (-37°C)

Remote Mounted Oil Cooler

Engine Block Heater – CUMMINS 120V 1500W

Silicone Engine Hoses and Tubing

Fan Drive, Electronically Modulated Type - Horton DM

2-Speed Fan

Flywheel Housing, Aluminum

Silicone Radiator & Heater Hoses

Starter, 12V Delco 39 MT MXT

Electronic Starter Interlock

Battery Box Lid

SPECIFICATIONS



**STANDARD POWERTRAIN SPECIFICATIONS (Continued)**

**TRANSMISSION: ALLISON 4500-RDS-6**

6-Speed Automatic, Ratios: 4.70 Low – 0.67 High  
Includes: Direct Mount Oil Cooler, External Oil Cooler,  
Internal Filter and Oil Level Sensor  
Main Driveline: Meritor 17 MXL “Xtended Lube”  
Interaxle Driveline: Meritor 17 MXL “Xtended Lube”  
TC521 Torque Converter

**REAR AXLE: MACK S462**

46,000 lb Capacity  
Tires – 11R22.5 Duals  
Carrier – CRDP150/151  
Wheels – Steel Disc (8) 22.5 x 8.25 10-Hole Hub Piloted  
Brakes: Meritor “S” Cam 16.5” x 7” Q-Plus w/o Dust  
Shields  
Brake Drums Cast Outboard Mounted  
Rear Wheel Seals  
Raised Rear Brake Chambers

Shock Insulators  
Slack Adjusters – Automatic  
Suspension – SS462 Mack Multileaf 46,000 lb Capacity  
Spring Brake Chambers – (4) 30/30 Double Diaphragm Type  
Mechanical Spring Release  
Transverse Torque Rod (Rear Axle Only)  
Trunnion Bushing

**FRONT AXLE: MACK FXL20**

20,000 lb. Capacity  
Tires – 315/80R22.5  
Wheels – Steel Disc (2) 22.5” x 9.0” 10-Hole Hub Piloted  
Brakes: Meritor “S” Cam 16.5” x 6” Q-Plus w/o Dust Shields  
Brake Drums Cast Outboard Mounted  
Slack Adjusters – Automatic  
Suspension – Mack Taperleaf 20,000 lb. Ground Load Rating  
Static Load Cushions  
Steering – M100P Plus Right Side Assist Cylinder

**STANDARD CAB INTERIOR/EXTERIOR SPECIFICATIONS**

**CAB: LOW ENTRY LH DRIVE w/RH Operating Position**

Air Restriction Monitor, Graduated Lock Up Type (Air Cleaner Intake Mounted)  
Ash Tray w/Hinged Cover  
Cab Mounting, Four Point Fixed Type  
Cab Tilt, Mounted on RH Fender Bracket  
Cigar Lighter  
Coat Hook  
Dome Lights – 2 w/Self-contained Switch  
Doors – RH Rear Opening Fold Up Door and LH Door w/Roll-up Window  
Engine Shutoff – Key Type Control  
Gauges – Dual Air Pressure, Voltmeter, Engine Coolant Temperature, Engine Oil Pressure, Fuel Level, Speedometer, Tachometer, Transmission Oil Temperature  
Gear Shift w/Neutral-to-Range Inhibit  
Grab Handles, Aluminum RH & LH Behind Door  
Heater w/Integral Defroster  
Horn – (1) Twin Trumpet Mounted Under Cab Single Tone w/Snow Shield  
Identification and Clearance Lights (7)  
Interior Trim – Silver Gray Vinyl  
Keys, 2 – Keyed at Random  
Low Pressure Indicator Light and Buzzer  
Exterior Mirrors – LH and RH Motorized w/Heated Retractable Arms and Brackets

Front Fender Mounted Mud Flaps  
Parking Brake Control w/Warning Light  
AM/FM Stereo CD w/Weather Band  
CB – 5 way Binding Post  
Rear Window, Fixed  
Driver Seat – Sears Seating C-2 with Fabriform Cushions (Mid-Back with Air Suspension) with Black Cloth  
Rider Seat – Mack Fold Up w/ Black Dupont Covering  
Seat Belts – Orange, Lap and Shoulder for Driver/Lap for Fold Up Rider Seat  
Side Markers – Lamps and Reflectors  
Key Type Starter Switch  
Steering Column, Fixed  
Sun Visor, Interior Both Sides  
Turn Signal Switch, Manual Cancelling  
Ventilation – LH Door Vent  
Windshield Protector  
Windshield Washers – Wiper Mounted with 7qt Reservoir  
Windshield Wipers – 2 Speed Electric Motor w/Intermittent Feature  
Safety Tinted Windshield w/Non-Tinted Side and Rear Windows  
Paint – Mack White (Cab), Mack Black (Chassis Running Gear)



**ADDITIONAL STANDARD SPECIFICATIONS**

**AIR/BRAKE**

Air Lines Chassis – Extruded Nylon Tubing  
Dual Air Brake System  
Air Dryer - Heated 1800 w/Coalescing Filter  
Air Reservoirs – Steel  
Bendix Anti-Lock Brake System  
Automatic Drain Valve, Heated

**SPECIALITY EQUIPMENT**

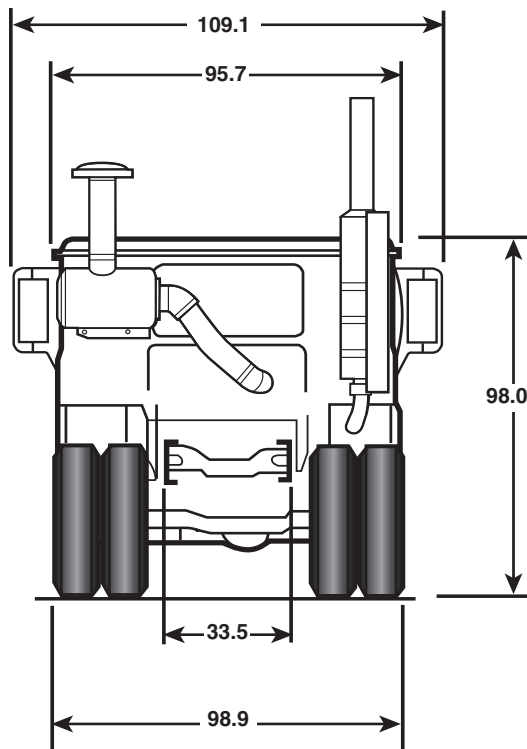
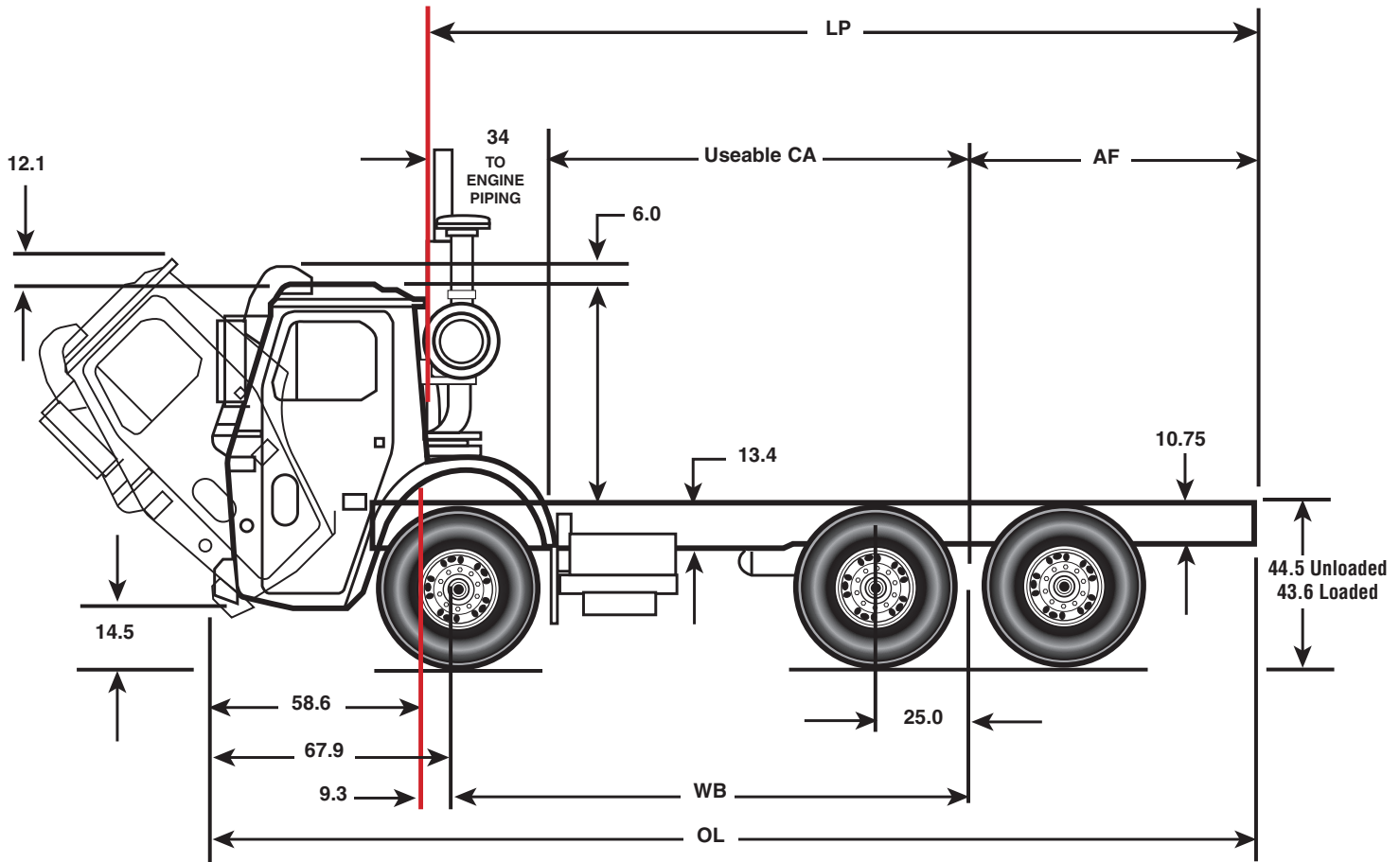
Work Brake

**ELECTRICAL**

12 Volt Electrical System  
Backup Alarm – Preco Model 1059  
Battery Box – Painted Steel w/Locking Tab  
Battery Disconnect Switch, Mtd. RH Side of Battery Box  
Battery Switch Warning Light  
Daytime Running Lights  
Electric Circuit Protection Package  
Waterproof Electrical Connections  
Control Link II  
Headlights – (2) Single Round Halogen Lamps  
Rear Lighting  
Single Flasher, Kysor

**STANDARD CHASSIS DIMENSIONS**

(All measurements are in inches)



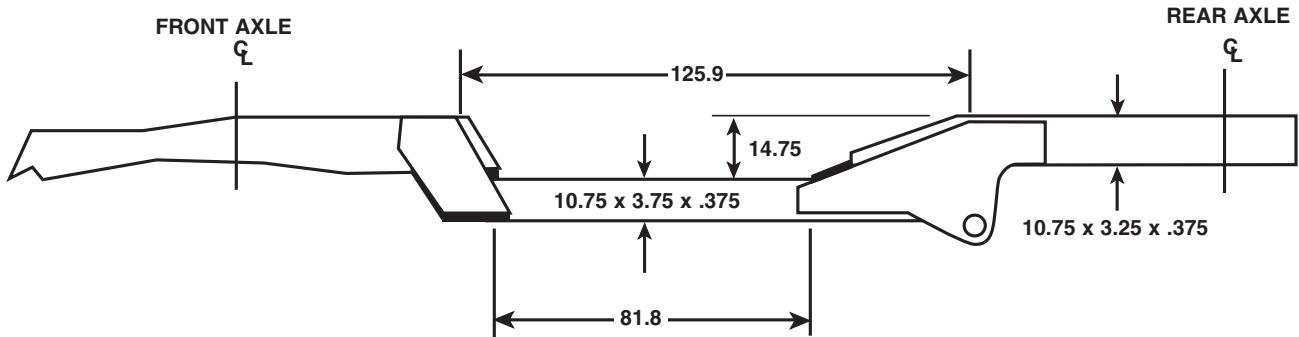
**FRAME**

- Frame Rails – 13.38" x 3.25" x .38" Steel
- Section Modulus, 23.49 in.<sup>3</sup>
- RBM (per rail) – 2,818,800 lb. in.
- Bumper – Painted Steel Flush Mounted
- Bumper to Back of Cab (BBC) – 59"
- Crossmembers – 1/2" Plate Type Bolted Back of Cab
- Intermediate 1/8" Below Rail
- Front Tow Pin

**STANDARD WHEELBASE/LOAD PLATFORM**

For standard wheelbase and load platform information refer to your current version of MACKTRAQ"

**DROP FRAME**



WB WHEELBASE	LP PLATFORM	USEABLE CA	AF
250	320	"Drop Frame"	61
173	286	152.3	104
186	286	165.3	91
197	286	176.3	80
210	286		67
246	322		67

**AVAILABLE DRIVELINE COMPONENTS**

TRANSMISSIONS		
MODEL	SPEEDS	RATIOS (LOW/HIGH)
<b>ALLISON</b>		
4500 RDS	5	4.70/0.76
4500 RDS	6	4.70/0.67

ENGINES	
MODEL	HORSEPOWER
<b>CUMMINS</b>	
ISL G 320	320 HP [239 kW] @ 2000

AXLES		
CAPACITY	MAKE	MODEL
<b>FRONT AXLES</b>		
20,000 lb. [9 072 kg]	MACK	FXL20
<b>REAR AXLES</b>		
38,000 lb. [17 237 kg]	MACK	S38R
46,000 lb. [20 866kg]	MACK	S462
	MERITOR	RT46-160
52,000 lb. [23 600kg]	MACK	S522

**A SALES ENGINEERING PUBLICATION**

The information in this brochure was accurate as of the date of the publication. Illustrations may not be representative of current product. Mack Trucks, Inc. reserves the right to make changes in specifications, equipment or design, or to discontinue models or options without notice at any time.

